



2021 Retail Price Guide

"A Tradition of Quality" Since 1922



Smidley Mfg., Inc.
551 3rd Ave. SE
P.O. Box 216
Britt, IA 50423


641-843-4431
641-843-4432 Fax
800-392-5632 Toll Free
www.smidley.com



SMIDLEY MFG., INC.

Retail prices: Effective on and after May 15, 2021.

All prices are subject to change without notice. This supersedes all previous price lists.

Terms	Warranty
<p>F.O.B. Factory Restocking Charge 15% Note: All Capacities for feeders and waterers are approximate.</p> 	<p>All items manufactured by Smidley Mfg., Inc. are warranted against defect in material and workmanship for one year from the date of shipment (but not against damage caused by accident, abuse, or facility installation) and we will repair or replace, free of charge (F.O.B. point of supply), all such defective parts; if returned to the factory, charges prepaid. No allowances will be made for repairs, alterations, or delays caused by such defective materials.</p>

CATTLE FEEDERS



Model No.	Description	Capacity	Shipping Wt.	Price
57265	7' Standard Steer Stuffer	65 bu	1,150#	\$ 2,578.00
572100	7' Super Steer Stuffer	100 bu	1,300#	\$ 2,688.00
5102150	10' Steer Stuffer	150 bu	2,000#	\$ 3,585.00

Single-sided feeders are available at 75% of the cost of the double feeders. Shipping weight would be calculated as 75% of the weight of the double feeder.

OPTIONS—ADD TO FEEDER PRICE

Option No.	Description	Shipping Wt.	Price
13595	Lengthwise Bin Divider for 7' Steer Stuffer	105#	\$ 240.00
13586	Lengthwise Bin Divider for 10' Steer Stuffer	150#	\$ 315.00
12051	Metal Confinement Package for 7' Steer Stuffer	90#	\$ 319.00
12052	Metal Confinement Package for 10' Steer Stuffer	115#	\$ 450.00
N/A	7' Steer Stuffer Bottom & V-Trough Stainless Steel		\$ 211.00
N/A	10' Steer Stuffer Bottom & V-Trough Stainless Steel		\$ 342.00



WOODEN MEDEX® PIG FINISH FEEDERS

All wooden Medex® finish feeders are standard with the STAINLESS STEEL bottom package, which includes stainless steel bottom metal, **stainless steel wrap around rub irons**, front plates, channel drains, and end drains. All feeders feature Smidley's famous agitator system.

Model No.	Double-Sided	Capacity	Shipping Wt.	Bottom Adjust	Top Adjust
42244	#2, 4 Feed Openings	8 bu	265#	\$ 1,095.00	\$ 1,197.00
44244	#4, 8 Feed Openings	16 bu	375#	\$ 1,410.00	\$ 1,625.00
46244	#6, 12 Feed Openings	24 bu	515#	\$ 1,844.00	\$ 2,084.00
48244	#8, 16 Feed Openings	32 bu	640#	\$ 2,209.00	\$ 2,495.00
410244	#10, 20 Feed Openings	40 bu	870#	\$ 2,703.00	\$ 3,194.00
412244	#12, 24 Feed Openings	48 bu	1,045#	\$ 3,079.00	\$ 3,636.00
414244	#14, 28 Feed Openings	56 bu	1,200#	\$ 3,409.00	\$ 4,022.00
42260	Super 2, 4 Feed Openings	15 bu	295#	\$ 1,122.00	\$ 1,230.00
44260	Super 4, 8 Feed Openings	30 bu	450#	\$ 1,488.00	\$ 1,693.00
46260	Super 6, 12 Feed Openings	40 bu	630#	\$ 1,948.00	\$ 2,265.00
48260	Super 8, 16 Feed Openings	55 bu	765#	\$ 2,286.00	\$ 2,692.00
410260	Super 10, 20 Feed Openings	65 bu	915#	\$ 2,887.00	\$ 3,488.00
412260	Super 12, 24 Feed Openings	80 bu	1,100#	\$ 3,317.00	\$ 3,922.00
414260	Super 14, 28 Feed Openings	90 bu	1,300#	\$ 3,541.00	\$ 4,171.00

Model No.	Single-Sided	Capacity	Shipping Wt.	Bottom Adjust	Top Adjust
42144	1/2 #2, 2 Feed Openings	4 bu	160#	\$ 820.00	\$ 898.00
44144	1/2 #4, 4 Feed Openings	8 bu	250#	\$ 1,057.00	\$ 1,219.00
46144	1/2 #6, 6 Feed Openings	12 bu	375#	\$ 1,383.00	\$ 1,563.00
48144	1/2 #8, 8 Feed Openings	16 bu	470#	\$ 1,656.00	\$ 1,871.00
410144	1/2 #10, 10 Feed Openings	20 bu	595#	\$ 2,026.00	\$ 2,395.00
412144	1/2 #12, 12 Feed Openings	24 bu	745#	\$ 2,310.00	\$ 2,726.00
414144	1/2 #14, 14 Feed Openings	28 bu	845#	\$ 2,557.00	\$ 3,016.00
42160	1/2 Super 2, 2 Feed Openings	7.5 bu	240#	\$ 841.00	\$ 922.00
44160	1/2 Super 4, 4 Feed Openings	15 bu	285#	\$ 1,116.00	\$ 1,269.00
46160	1/2 Super 6, 6 Feed Openings	20 bu	435#	\$ 1,460.00	\$ 1,699.00
48160	1/2 Super 8, 8 Feed Openings	27.5 bu	535#	\$ 1,715.00	\$ 2,018.00
410160	1/2 Super 10, 10 Feed Openings	32.5 bu	680#	\$ 2,165.00	\$ 2,616.00
412160	1/2 Super 12, 12 Feed Openings	40 bu	840#	\$ 2,488.00	\$ 2,941.00
414160	1/2 Super 14, 14 Feed Openings	45 bu	915#	\$ 2,656.00	\$ 3,129.00

OPTIONS—ADD TO FEEDER PRICE

Option No.	Description	Price
1	Stainless steel metal ends (pair)	\$ 60.00
2	Nylon trough lids (each)	\$ 7.00
3	Stainless steel trough lids (each)	\$ 9.00
4	Stainless steel wrap around rub irons (each)	\$ 12.00
5	Toe Boards (for pigs under 40 lbs)	call for pricing

OPTIONAL LENGTHWISE FEEDER BIN DIVIDERS

Model No.	Description	Shipping Wt.	Price
11486	#2 Feed Divider	18#	\$ 81.00
11484	#4 Feeder Divider	37#	\$ 128.00
11482	#6 Feeder Divider	56#	\$ 167.00
11481	#8 Feeder Divider	75#	\$ 199.00
11480	#10 Feeder Divider	94#	\$ 225.00
11479	#12 Feeder Divider	113#	\$ 247.00
11478	#14 Feeder Divider	132#	\$ 265.00
11477	Super 2 Feeder Divider	22#	\$ 114.00
11475	Super 4 Feeder Divider	46#	\$ 167.00
11473	Super 6 Feeder Divider	70#	\$ 198.00
11472	Super 8 Feeder Divider	94#	\$ 226.00
11471	Super 10 Feeder Divider	118#	\$ 263.00
11470	Super 12 Feeder Divider	142#	\$ 311.00
11467	Super 14 Feeder Divider	165#	\$ 343.00

FARROWING HOUSES



Model No.	Description	Shipping Wt.	Price
70682	6' X 8' Hog House—door each end	600#	\$ 1,572.00
70DIV	Removable Oak Cross Divider for Creep Area	40#	\$ 76.00

FARROWING HOUSE COMPONENTS

Model No.	Description	Shipping Wt.	Price
7967R	6' x 7' Hog House Roof Complete (insulated)	90#	\$ 371.00
7968R	6' x 8' Hog House Roof Complete (insulated)	110#	\$ 387.00
790DE	Door End (each)	100#	\$ 324.00
790BE	Back End (each)	90#	\$ 217.00
7967S	6' x 7' Hog House Side (each)	120#	\$ 180.00
7968S	6' x 8' Hog House Side (each)	140#	\$ 198.00
7967F	6' x 7' Hog House Floor (each)	265#	\$ 238.00
7968F	6' x 8' Hog House Floor (each)	285#	\$ 250.00
100187	5-inch "T" Hinges for hog house door (each)		\$ 5.00

SMIDLEY WATERING EQUIPMENT

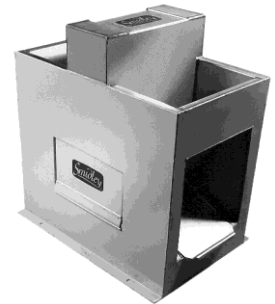
304 Stainless Steel construction & standard with electric heat



Model No.	Description	Shipping Wt.	Price Stainless
9150141S	1 Drink Hog Bar	41#	\$ 484.00
9150142S	2 Drink Hog Bar	56#	\$ 555.00
9150154S	4 Drink Hog Bar	85#	\$ 717.00
9150166S	6 Drink Hog Bar	125#	\$ 928.00
91501010S	10 Drink Hog Bar	156#	\$ 1,768.00
9150152S	1/2 2 Drink Hog Bar (2 drinks one side)	50#	\$ 563.00
9150163S	1/2 3 Drink Hog Bar (3 drinks one side)	63#	\$ 744.00
9150105S	1/2 5 Drink Hog Bar (5 drinks one side)	89#	\$ 1,147.00
9150B	Stainless Steel Anchor Bolt w/hardware (3/8" x 3-3/4")		\$ 3.50

SMIDLEY CATTLE FOUNTAINS

(STANDARD with electric heat)

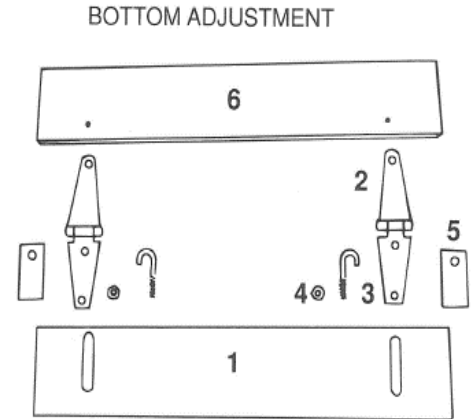
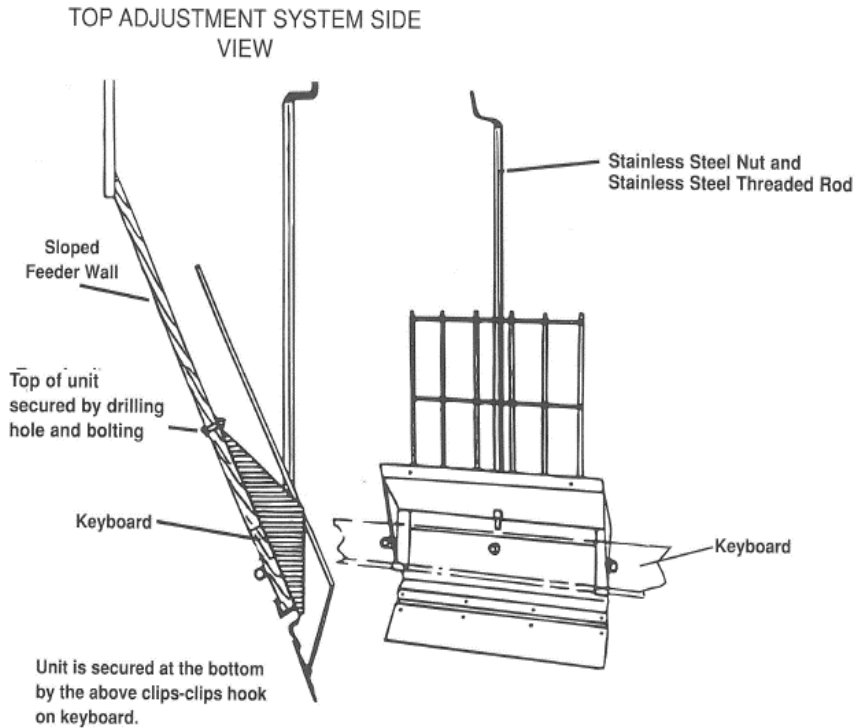


Model No.	Description	Shipping Wt.	Price Stainless	Trough Lid Add On
9110CS	#1 Cattle Fountain	50#	\$ 661.00	\$ 45.00
9129CS	#2 Cattle Fountain	65#	\$ 725.00	\$ 82.00
9130CS	#3 Cattle Fountain (center float box)	105#	\$ 1,021.00	\$ 120.00
9130CES	#3 Cattle Fountain (end float box)	105#	\$ 1,043.00	\$ 120.00
9150CS	#5 Cattle Fountain (center float box)	129#	\$ 1,101.00	\$ 126.00
9150CES	#5 Cattle Fountain (end float box)	129#	\$ 1,165.00	\$ 126.00
9130CHS	#3 Combination Fountain (end float box)	110#	\$ 1,697.00	\$ 120.00
9130CHCS	#3 Combination Fountain (center float box)	110#	\$ 1,804.00	\$ 120.00
9150CHS	#5 Combination Fountain	175#	\$ 1,838.00	\$ 126.00
9150CTS	#5 Cattle Trough	204#	\$ 1,709.00	
9150STS	Sheep Trough	130#	\$ 1,424.00	

PARTS PRICE LIST

AGITATOR ASSEMBLY SECTION

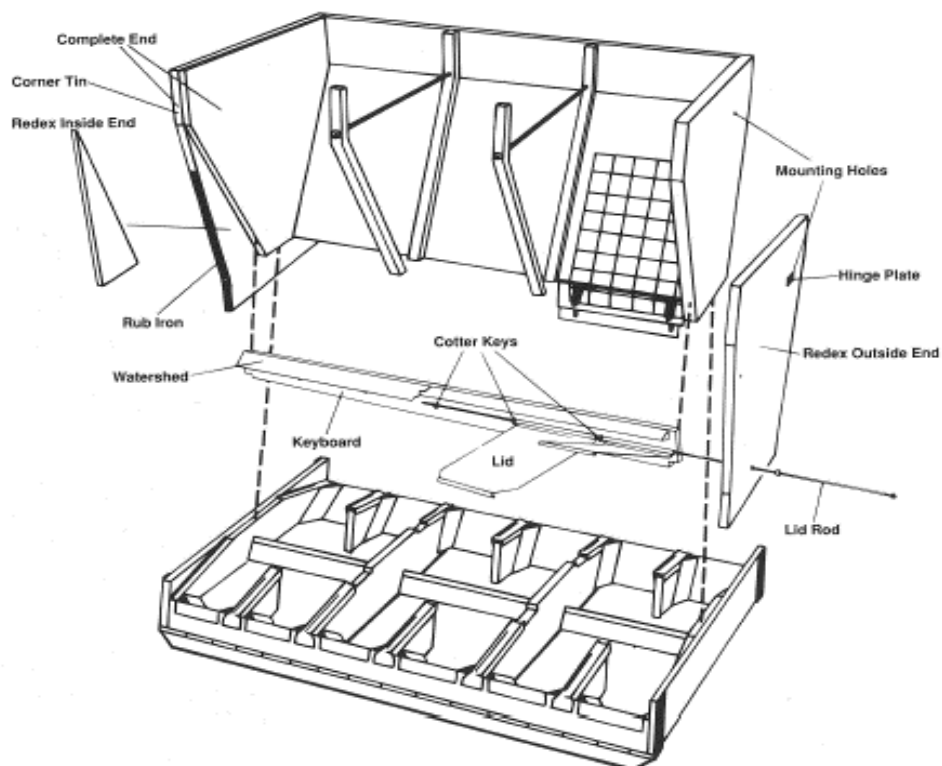
*TOP ADJUST IS STANDARD WITH S.S. ADJUSTING PLATE



1. Agitator Adjusting Plate
2. Agitator Hinges
3. J-bolts
4. Capnuts
5. Feed Saver Tabs
6. Agitator Board

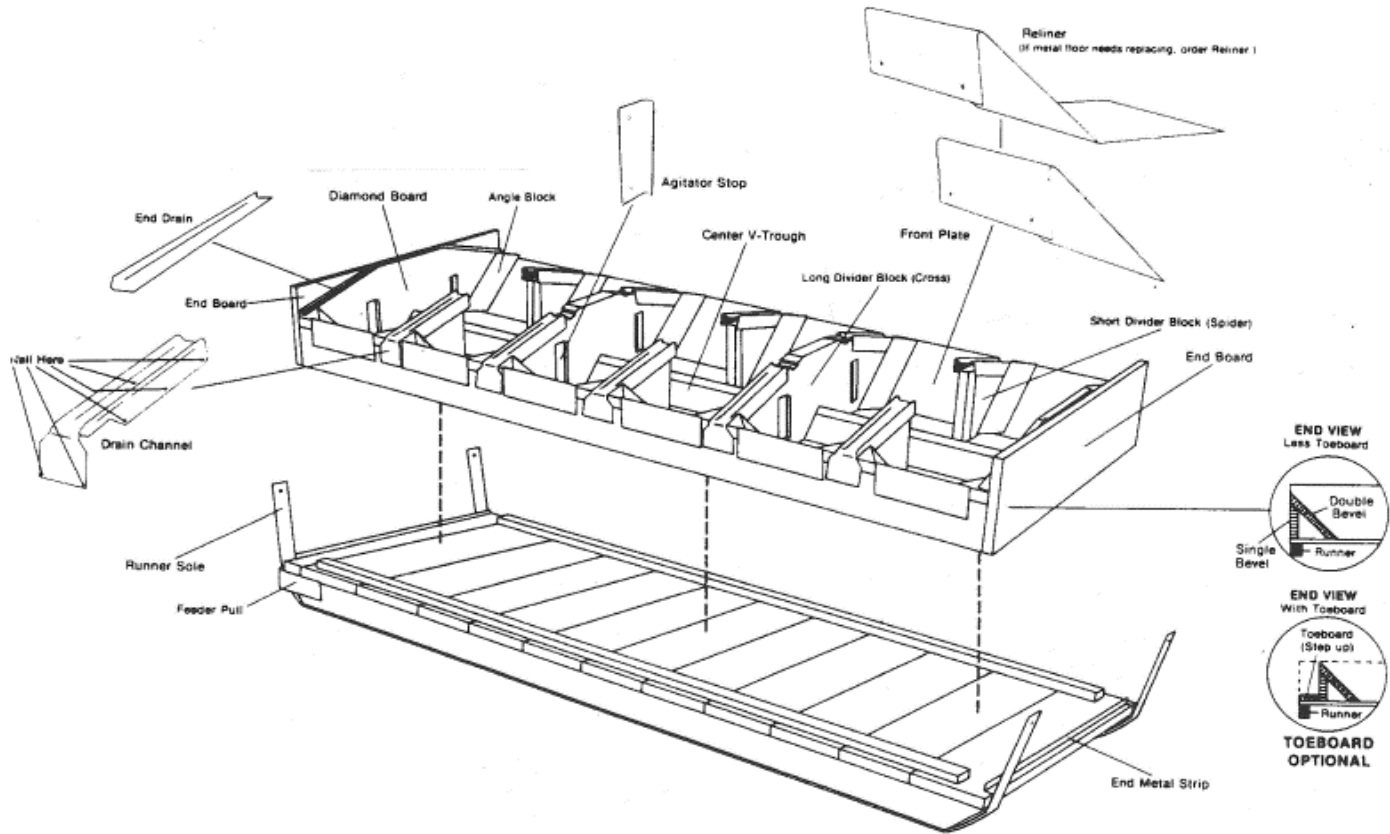
Model No.	Description	Price
492TR	Regular Top Adjust Kit—2 Troughs Wide	\$85.00
491TR	Regular Top Adjust Kit—1 Trough Wide	\$77.00
492TS	Super Top Adjust Kit—2 Troughs Wide	\$89.00
491TS	Super Top Adjust Kit—1 Trough Wide	\$80.00
492SW	Bottom Adjust Agitator Complete With Wire—2 Troughs Wide	\$31.00
491SW	Bottom Adjust Agitator Complete With Wire—1 Trough Wide	\$26.00
492SO	Bottom Adjust Agitator Complete Less Wire—2 Troughs Wide	\$22.00
491SO	Bottom Adjust Agitator Complete Less Wire—1 Trough Wide	\$19.00
492AB	Agitator Board—2 Troughs Wide	\$4.60
491AB	Agitator Board—1 Trough Wide	\$1.50
490AH	Agitator Hinge (Pair)	\$7.00
490JC	J-Bolt Complete (includes J-bolt, feed tab & SS cap nut)	\$4.50
490JCS	SS J-Bolt Complete (includes SS J-bolt, SS feed tab, & SS cap nut)	\$8.50
4900J	J-Bolt, only	\$2.00
4900JS	SS J-Bolt, only	\$3.50
4900CS	SS Cap Nut, only	\$2.00
4900FT	Feed Saver Tab, only	\$2.00
4900FTS	SS Feed Saver Tab, only	\$3.50
492AP	Agitator Adjusting Plate—2 Troughs Wide	\$8.00
491AP	Agitator Adjusting Plate—1 Trough Wide	\$5.50
492APS	SS Agitator Adjusting Plate - 2 Trough Wide	\$11.50
491APS	SS Agitator Adjusting Plate - 1 Trough Wide	\$10.00
492AW	Agitator Wire—2 Troughs Wide	\$10.00
491AW	Agitator Wire—1 Trough Wide	\$6.25

BIN SECTION



Model No.	Description	Price
490CDS	SS Channel Drain (between lids)	\$ 6.25
490EDS	SS End Drain	\$ 2.50
490SB	Spider Block (short divider block)	\$ 6.75
490DB	Divider Block (long cross block)	\$ 24.00
490TR	SS Trough Reliner	\$ 12.50
490AB	Angle Blocks (pair)	\$ 3.50
490FPS	SS Front Plate	\$ 6.50
490PC	Pull Clevis (pair)	\$ 6.50
490AS	Agitator Stop	\$ 1.50
490TL	Galvanized Trough Lid	\$ 8.25
490TLN	Nylon Trough Lid	\$ 15.00
490TLS	SS Trough Lid	\$ 17.00
49015RI	1-1/2" Rub Iron	\$ 5.00
49015RIS	1-1/2" SS Rub Iron	\$ 6.25
49075RI	3/4" Rub Iron	\$ 4.50
490IE	Inside End	\$ 12.00
490OER	Regular Outside End	\$ 52.00
490OES	Super Outside End	\$ 72.00
490CER	Regular Complete End	\$ 153.00
490CES	Super Complete End	\$ 173.00
490CK	Cotter Key	\$ 0.50
490CKS	SS Cotter Key	\$ 2.00
490CTR	Regular Corner Tin	\$ 3.00
490CTRS	SS Regular Corner Tin	\$ 5.00
490CTS	Super Corner Tin	\$ 4.00
490CTSS	SS Super Corner Tin	\$ 6.00
490MES	SS Metal Ends (pair)	\$ 60.00
12447	SS Wrap Around Rub Iron	\$ 12.00

BOTTOM SECTION



Model No.	Description	Shipping Wt.	Price
4922B #2	(Less Toe Boards)	50#	\$ 310.00
4942B #4	(Less Toe Boards)	90#	\$ 428.00
4962B #6	(Less Toe Boards)	133#	\$ 555.00
4982B #8	(Less Toe Boards)	167#	\$ 700.00
49102B #10	(Less Toe Boards)	213#	\$ 848.00
49122B #12	(Less Toe Boards)	275#	\$ 990.00
49142B #14	(Less Toe Boards)	355#	\$ 1,138.00

COMPLETE BOTTOM (With Toe Boards)

Model No.	Description	Shipping Wt.	Price
4922BW #2	(With Toe Boards)	60#	\$ 346.00
4942BW #4	(With Toe Boards)	110#	\$ 473.00
4962BW #6	(With Toe Boards)	163#	\$ 610.00
4982BW #8	(With Toe Boards)	207#	\$ 770.00
49102BW #10	(With Toe Boards)	263#	\$ 918.00
49122BW #12	(With Toe Boards)	335#	\$ 1,082.00
49142BW #14	(With Toe Boards)	425#	\$ 1,224.00

HALF FEEDER (SINGLE-SIDED)
COMPLETE BOTTOM (Less Toe Boards)

Model No.	Description	Shipping Wt.	Price
4921B	1/2 #2 (Less Toe Boards)	38#	\$ 232.00
4941B	1/2 #4 (Less Toe Boards)	68#	\$ 322.00
4961B	1/2 #6 (Less Toe Boards)	100#	\$ 416.00
4981B	1/2 #8 (Less Toe Boards)	125#	\$ 525.00
49101B	1/2 #10 (Less Toe Boards)	160#	\$ 636.00
49121B	1/2 #12 (Less Toe Boards)	206#	\$ 743.00
49141B	1/2 #14 (Less Toe Boards)	266#	\$ 854.00

COMPLETE BOTTOM (With Toe Boards)

Model No.	Description	Shipping Wt.	Price
4921BW	1/2 #2 (With Toe Boards)	45#	\$ 259.00
4941BW	1/2 #4 (With Toe Boards)	83#	\$ 355.00
4961BW	1/2 #6 (With Toe Boards)	122#	\$ 456.00
4981BW	1/2 #8 (With Toe Boards)	155#	\$ 576.00
49101BW	1/2 #10 (With Toe Boards)	197#	\$ 689.00
49121BW	1/2 #12 (With Toe Boards)	251#	\$ 812.00
49141BW	1/2 #14 (With Toe Boards)	319#	\$ 918.00

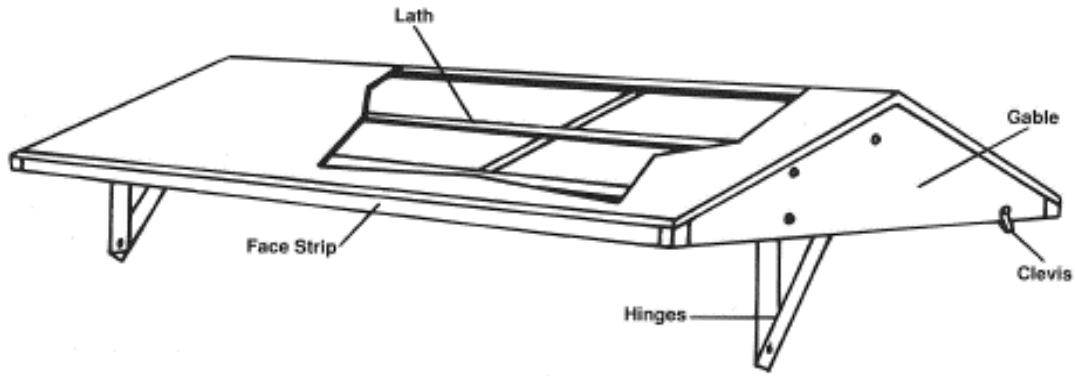
LID RODS

Model No.	Description	Price
492LR	#2 Lid Rod	\$ 5.50
493LR	#3 Lid Rod	\$ 6.00
494LR	#4 Lid Rod	\$ 6.50
495LR	#5 Lid Rod	\$ 7.00
496LR	#6 Lid Rod	\$ 7.50
498LR	#8 Lid Rod	\$ 8.00
4910LR	#10 Lid Rod	\$ 8.50
4912LR	#12 Lid Rod	\$ 9.00
4914LR	#14 Lid Rod	\$ 9.50

WATERSHEDS OVER LIDS (Per Pair)

Model No.	Description	Price
492WS	#2 Watershed (pair)	\$ 8.00
493WS	#3 Watershed (pair)	\$ 10.00
494WS	#4 Watershed (pair)	\$ 11.00
495WS	#5 Watershed (pair)	\$ 12.00
496WS	#6 Watershed (pair)	\$ 13.00
498WS	#8 Watershed (pair)	\$ 14.00
4910WS	#10 Watershed (pair)	\$ 15.00
4912WS	#12 Watershed (pair)	\$ 16.00
4914WS	#14 Watershed (pair)	\$ 17.00

HOG FEEDER ROOF ASSEMBLY—ROOF COMPLETE



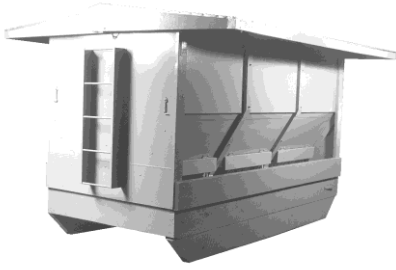
Model No.	Two-Sided Feeder	Shipping Wt.	Price
4922R	#2 Roof	20#	\$ 192.00
4932R	#3 Roof	38#	\$ 220.00
4942R	#4 Roof	40#	\$ 248.00
4952R	#5 Roof	46#	\$ 267.00
4962R	#6 Roof	56#	\$ 286.00
4982R	#8 Roof	67#	\$ 330.00
49102R	#10 Roof	77#	\$ 370.00
49122R	#12 Roof	87#	\$ 431.00
49142R	#14 Roof	100#	\$ 489.00

Model No.	Single-Sided Feeder	Shipping Wt.	Price
4921R	1/2 #2 Roof	20#	\$ 145.00
4931R	1/2 #3 Roof	25#	\$ 166.00
4941R	1/2 #4 Roof	30#	\$ 185.00
4951R	1/2 #5 Roof	35#	\$ 200.00
4961R	1/2 #6 Roof	42#	\$ 214.00
4981R	1/2 #8 Roof	50#	\$ 246.00
49101R	1/2 #10 Roof	58#	\$ 278.00
49121R	1/2 #12 Roof	65#	\$ 324.00
49141R	1/2 #14 Roof	75#	\$ 365.00

ROOF ACCESSORIES

Model No.	Description	Price
11012	Left Hand Roof Gable with Hardware (each)	\$ 30.00
11013	Right Hand Roof Gable with Hardware (each)	\$ 30.00
11005	Roof Gable Only (each)	\$ 21.00
494RH	4" Roof Hook (each)	\$ 5.00
494RC	Clevis for 4" Roof Hook (each)	\$ 1.50
490RH	Roof Hinges (pair)	\$ 7.00
490RS	Roof Saver (pair)	\$ 2.00
4915B	1/4" x 1-1/2" Hinge Bolts (four)	\$ 3.00
4935B	5/16" x 3-1/2" Hinge Bolt (each)	\$ 3.00

CATTLE EQUIPMENT PARTS

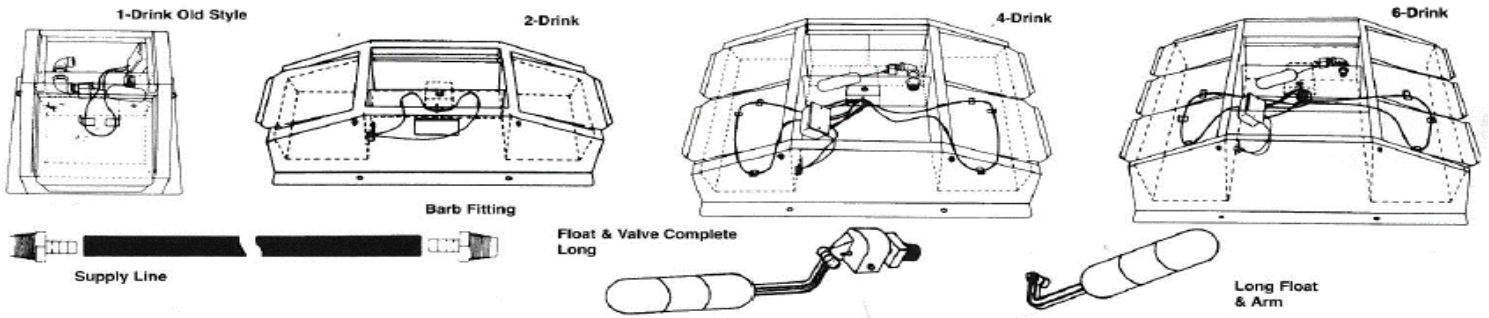


Model No.	Description	Shipping Wt.	Price
597RC	7' Stuffer Roof Complete	200#	\$ 636.00
597RT	Top Section of 7' Stuffer Roof	120#	\$ 345.00
597RB	Bottom Section of 7' Stuffer Roof	80#	\$ 291.00
5910RC	10' Stuffer Roof Complete	300#	\$ 807.00
5910RT	Top Section of 10' Stuffer Roof	175#	\$ 433.00
5910RB	Bottom Section of 10' Stuffer Roof	125#	\$ 374.00
11487	Steer Stuffer Agitator Adjustment Plate-Notched	3#	\$ 9.25
10814	Steer Stuffer Agitator Adjustment Plate-Unnotched	3#	\$ 8.00
10930	Steer Stuffer Agitator Section Complete	10#	\$ 53.00
10728	Ladder (complete)	17#	\$ 58.00
100694	4-inch "T" Hinges for steer stuffer bumper plates (each)		\$ 4.00
597BT*	7' Stuffer Bottom Galvanized (pair)	40#	\$ 56.00
5910BT*	10' Stuffer Bottom Galvanized (pair)	60#	\$ 80.50
597BTS*	7' Stuffer Bottom Stainless Steel (pair)		\$ 180.00
5910BTS*	10' Stuffer Bottom Stainless Steel (pair)		\$ 250.00
10793 *	7' Stuffer V-Trough Galvanized	26#	\$ 51.00
11285 *	10' Stuffer V-Trough Galvanized	40#	\$ 82.00
12873 *	7' Stuffer V-Trough Stainless Steel		\$ 121.00
12874 *	10' Stuffer V-Trough Stainless Steel		\$ 196.00

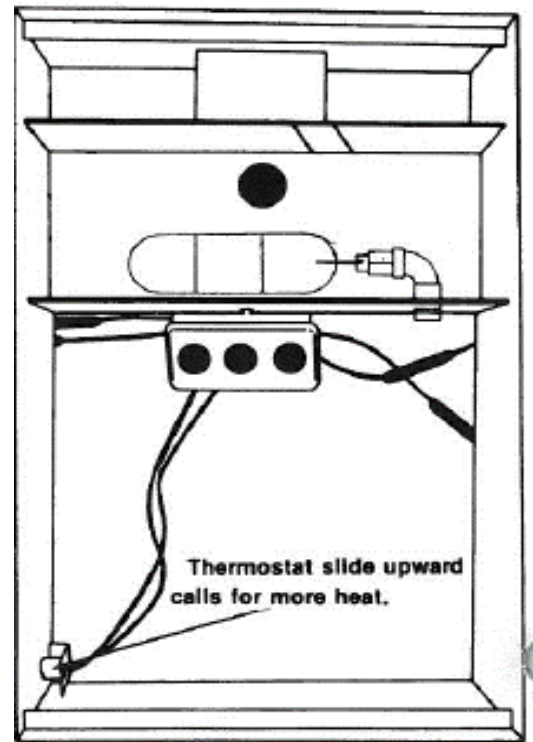
*Parts available for cut and repair - add 20%.



HOG BAR ACCESSORIES



Model No.	Description	Price
10038	Heating Element 1 Drink, 4 Drink 6 Drink, 1/2 2 Drink	\$ 25.00
10045	Heating Element 2 Drink	\$ 25.00
10046	Heating Element 1 Drink (Old Style)	\$ 25.00
9150T	Thermostat	\$ 24.00
915LG	Drink Lid-Galvanized	\$ 15.00
915LS	Drink Lid-S.S.	\$ 26.50
9152LR	Lid Rod 1 Drink, 2 Drink	\$ 18.00
9154LR	Lid Rod 4 Drink, 1/2 2 Drink	\$ 23.00
9156LR	Lid Rod 6 Drink	\$ 27.00
9152TLS	Top Lid-Stainless 2 Drink, 1 Drink	\$ 29.00
9151TLS	Top Lid-Stainless 1 Drink (Old Style)	\$ 29.00
9154TLS	Top Lid-Stainless 4 Drink, 6 Drink	\$ 46.00
91514TLS	Top Lid-Stainless 1/2 2 Drink	\$ 29.00
915BF	Barb Fitting	\$ 2.50
915SL	Supply Line Hose Only	\$ 6.00
915SLC	Supply Line w/Barbs	\$ 11.00
915FP	Flush/Drain Plug	\$ 4.00
14536	Float & Valve Complete-Long	\$ 26.00
100932	Long Arm, Long Float	\$ 9.00
100927	Valve - High Pressure Orifice w/Hood	\$ 17.00
101119	Thumb Screw	\$ 2.50
101120	Bumper	\$ 1.50
14537	Float and Valve Complete-Short	\$ 26.00
100929	Short Arm, Short Float Med Tank	\$ 9.00
100928	Valve - Low Pressure Orifice w/Hood Med Tank	\$ 17.00



Interior View Hog Bar

CATTLE FOUNTAIN ACCESSORIES

Model No.	Description	Price
10038	#1 Cattle Fountain Heating Element Quantity (1) (4 drink element)	\$ 25.00
10045	#2 Cattle Fountain Heating Element Quantity (1) (2 drink element)	\$ 25.00
10038	#3 Cattle Fountain Heating Element Quantity (2) (4 drink element)	\$ 25.00
10038	#5 Cattle Fountain Heating Element Quantity (2) (4 drink element)	\$ 25.00
10038	#3 Combination (center float box) Heating Element Quantity (4) (4 drink element)	\$ 25.00
10038	#3 Combination (end float box) Heating Element Quantity (3) (4 drink element)	\$ 25.00
10038	#5 Combination Heating Element Quantity (4) (4 drink element)	\$ 25.00
10038	#3 Cattle Trough Heating Element Quantity (2) (4 drink element)	\$ 25.00
10038	#5 Cattle Trough Heating Element Quantity (4) (4 drink element)	\$ 25.00
12038	Sheep Trough Heating Element Quantity (4) (4 drink element)	\$ 25.00
14537	Float and Valve Complete for #1 & #2 Fountains	\$ 26.00
915FVF	Float and Valve Complete for #3 & #5 Fountains & Troughs	\$ 50.00



Marting Mfg. of Iowa, Inc.
551 3rd Ave. SE
P.O. Box 216
Britt, IA 50423

641-843-4431
641-843-4432 Fax
800-392-5632 Toll Free
www.smidley.com

